



// Grid Integration and Storage



Are you looking to adopt more sustainable energy sourcing practices and processes to future-proof your company?

Germany's pivot to renewables is succeeding as it draws on more and more electricity from solar and wind power plants for heating, cooling and mobility.

A mix of sourcing practices is easing this transition: Batteries and heat storage systems store energy for shorter terms. Power-to-gas plants stockpile energy for longer periods. And demand-side management has companies syncing up plant operations to match the availability of electrical power.

This situation affords you an excellent opportunity for optimizing your organization's energy system. The key to doing that is to pull the right levers in systems engineering and systems management. ZSW has developed tools to this end. We know the technology. We understand your business concerns. And we draw on these skills and insights to create scenarios, development paths and viable solutions for your enterprise.

And to serve our clientele of municipal utilities, we also provide energy generation and consumption forecasts to provide greater transparency in the distribution grid.

"When you opt for ZSW, you are calling on experienced experts who know sustainable technologies and how to manage their interplay in the energy system."



// Contact: Jonas Petzschmann, M.Sc.

Photovoltaics:
Modules Systems Applications
+49 711 7870-160
jonas.petzschmann@zsw-bw.de

Center for Solar Energy and Hydrogen
Research Baden-Württemberg (ZSW)
www.zsw-bw.de

// Our Services

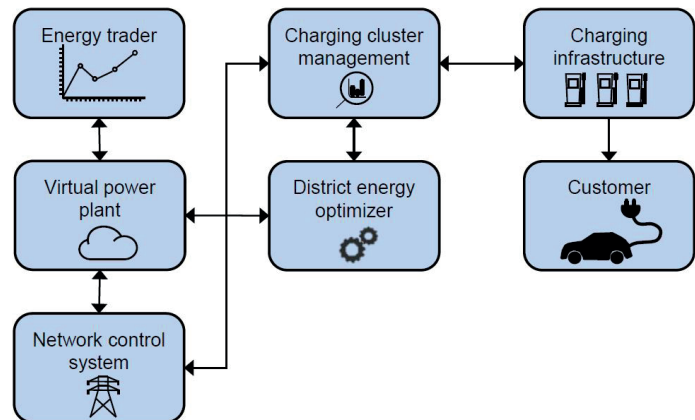


Generation and consumption forecasting for transparency in the distribution grid

- Operational forecasts for Redispatch 2.0
- Generation, consumption and terminal power forecasts
- Electromobility-driven grid load
- Browser-based visualization in PowerObserver

System engineering and optimization

- Boost efficiency
- Shrink the carbon footprint
- Make the most of flexibilities
- Coordinate the grid and energy market



Mittelstand-Digital
Zentrum
Klima.Neutral.Digital

Gefördert durch:



Bundesministerium
für Wirtschaft
und Klimaschutz

aufgrund eines Beschlusses
des Deutschen Bundestages

Custom solutions for enterprise climate neutrality

- We help small and medium-sized enterprises and the skilled trades achieve climate neutrality by 2035.
- We assess your infrastructure for energy efficiency and develop resource-conserving processes and services with you.
- We show you how to use digital tools and AI sustainably in your business processes.
- Our climate coaches are available to assist you with on-site implementation.